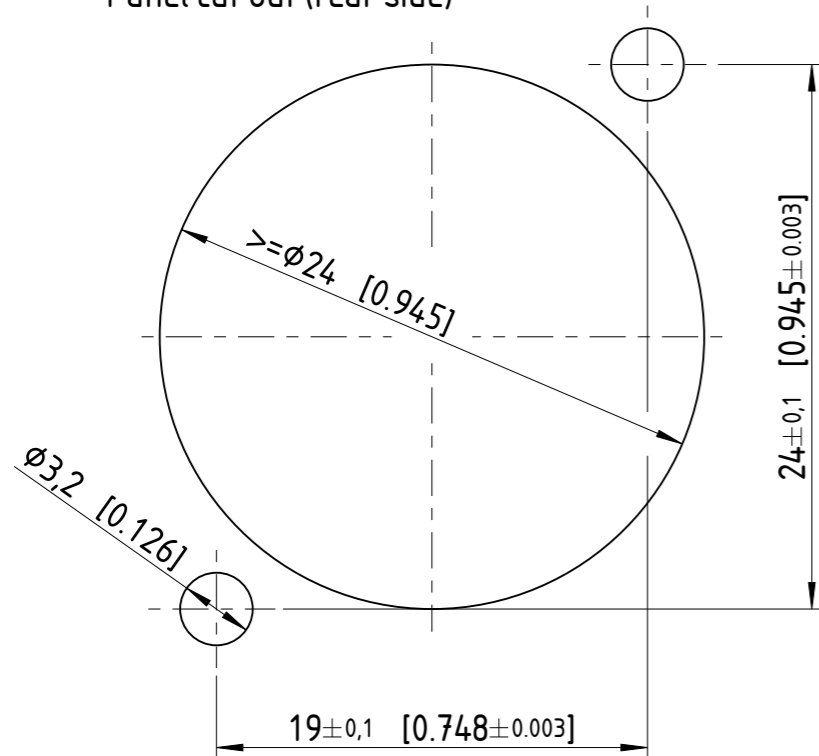


Frontplattenausschnitt (Rueckseite)  
Panel cut out (rear side)



Sheet Number 1/1	Projection 	Scale 1.5:1	Format A3	General Tolerancing ISO 2768 mK	
Description			Created on/by	11.10.2017	Ender N.
NE8FDP*-TOP			Approved on/by	06.03.2023	Mangeng M.
			Article ID	Model ID	Drawing ID
			NE8FDP-TOP	30009929	20004014
Status			Revision	ECN Number	
Released			-	-	

**Neutrik Group**