



# OPERATING & ASSEMBLY INSTRUCTION

## NAC3MPX-TOP & NAC3MPX-WOT-TOP

### powerCON® TRUE1 TOP | APPLIANCE INLET

#### A APPLICATION INSTRUCTION

##### Application:

- The powerCON® TRUE1® system is certified as a connector with breaking capacity according IEC 60320, VDE 0625.
- It is intended for use as an appliance coupler and interconnection coupler.
- It serves to supply power to an appliance and from an appliance to other equipment.
- To be installed by qualified person only.

##### CONNECTOR ASSIGNMENT:

###### APPLIANCE INLET

NAC3MPX-TOP  
NAC3MPX-WOT-TOP

Power IN ▶



NAC3FX-W-TOP  
(Connector)

NAC3MX-W-TOP  
(Plug connector)

###### APPLIANCE OUTLET

NAC3FPX-TOP  
NAC3FPX-WOT-TOP  
NAC3FPX-ST-TOP

Power OUT ◀



NAC3FX-W-TOP  
(Connector)

NAC3MX-W-TOP  
(Plug connector)

###### APPLIANCE INLET / OUTLET

###### ► Combination

NAC3PX-TOP

Power IN ▶

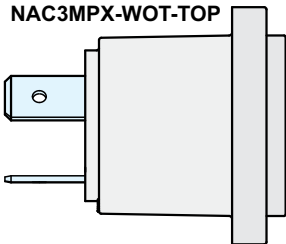


Power OUT ◀

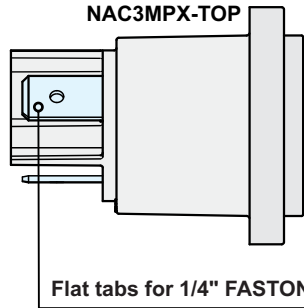
powerCON® TRUE1® TOP line is full backward compatible with the preceding powerCON TRUE1 products.

#### B ASSEMBLY INSTRUCTION

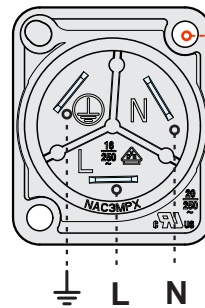
NAC3MPX-WOT-TOP



NAC3MPX-TOP

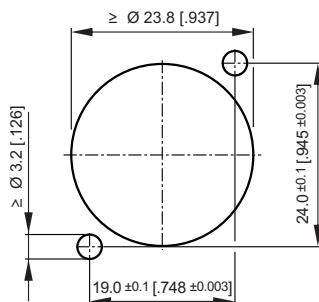


##### WIRING



**Attention:**  
Tightening torque  
 $M_A = 40 \text{ Ncm}$ .

#### Panel Cutout (Rear Side)



Find more details of  
powerCON TRUE1 TOP on  
[www.neutrik.com](http://www.neutrik.com).



Draft. Nr.: BDA 544 V3  
Update: 2023-03-17

Neutrik AG | LI-9494 Schaan  
[www.neutrik.com](http://www.neutrik.com)

Data subject to change without prior notice. © 2023 NEUTRIK®. NEUTRIK®, powerCON are registered trademark of Neutrik AG. ALL RIGHTS RESERVED.

**NEUTRIK**  
A brand of the Neutrik Group