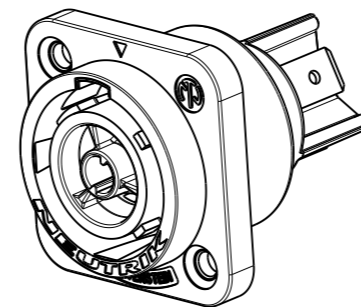
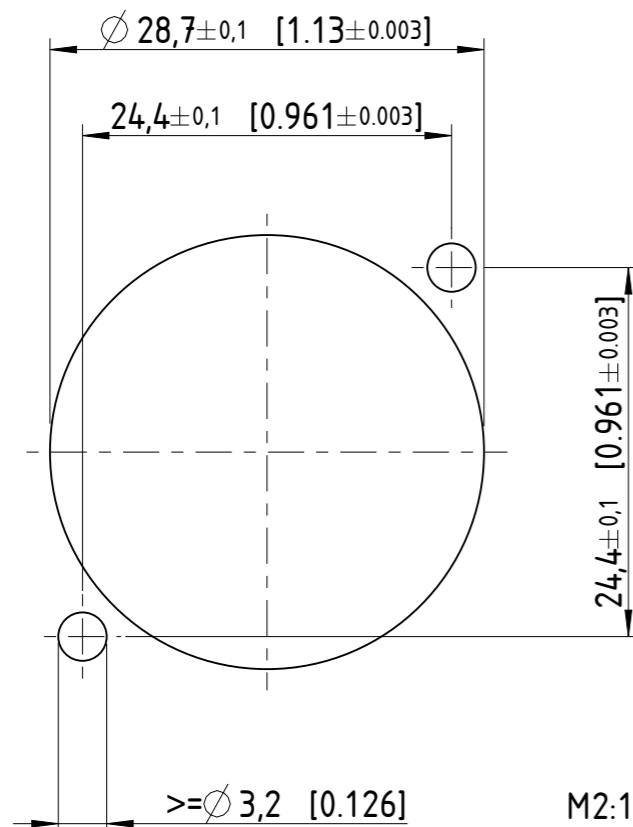


Frontplattenausschnitt Rückseite
panel cutout rearside



M1:1

Sheet Number 1/1	Projection 	Scale 2:1	Format A3	General Tolerancing ISO 2768 mK	
Description			Created on/by	03.05.2018	Ender N.
NAC3FPX-TOP			Approved on/by	02.03.2023	Schuster R.
			Article ID NAC3FPX-TO P	Model ID 30009221	Drawing ID 20003608
Status Released	Revision -	ECN Number -	Neutrik Group		