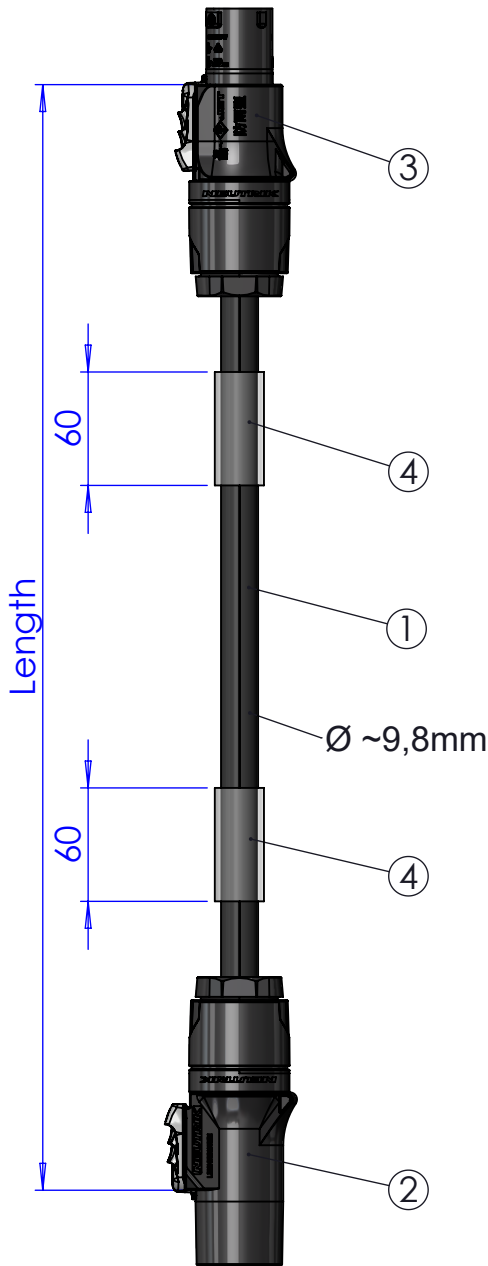


TITANEX rubber cable H07RN-F3G1,5 black (L+N+PE)  
terminated with NEUTRIK powerCON TRUE1 TOP connectors

- protection class: IP65
- max. current: 16A
- nominal voltage: 250V~
- operating temperatur: -25°C bis +55°C

Transparent shrink tube loose.  
Unshrunked for customized self-labeling before shrinking.

The powerCON TRUE1 TOP is a connector with breaking capacity (CBC), i.e. it can be connected or disconnected under load or live. (acc. IEC 60320-1 / DIN EN 60320-1 / VDE 0625-1)



| Description     | Stock-Code | Length | Weight  |
|-----------------|------------|--------|---------|
| NKPH1-A1A1-M001 | 1027564    | 1 m    | 0,19 kg |
| NKPH1-A1A1-M002 | 1027565    | 2 m    | 0,35 kg |
| NKPH1-A1A1-M005 | 1027566    | 5 m    | 0,71 kg |
| NKPH1-A1A1-M010 | 1027567    | 10 m   | 1,36 kg |
| NKPH1-A1A1-M015 | 1027568    | 15 m   | 2,01 kg |
| NKPH1-A1A1-M020 | 1027569    | 20 m   | 2,66 kg |

| No. | Part                                   | Qty. |
|-----|--|------|
| 1   | TITANEX H07RN-F3G1,5                   | 1    |
| 2   | NEUTRIK NAC3MX-W-TOP                   | 1    |
| 3   | NEUTRIK NAC3FX-W-TOP                   | 1    |
| 4   | Shrink Tube Ø 12,0 -> 3,0 / unshrunked | 2    |

Note: cables <= 1m only 1x shrink tube, cables > 1m 2x shrink tubes

|  |                 |                 |              |                          |            |
|--|-----------------|-----------------|--------------|--------------------------|------------|
| Sheet Number<br>1/1  | Projection<br>  | Scale<br>1:2    | Format<br>A4 | Tolerancing<br>ISO 2768- |            |
| g  | cm <sup>2</sup> | cm <sup>3</sup> | Created      | HeBo                     | 26.05.2021 |
| Material   |                 |                 | Modified     |                          |            |
| Material addition  |                 |                 | Approved     | DiRo                     | 26.05.2021 |
| Description<br>NKPH1-A1A1<br>NEUTRIK powerCON TRUE1 Cables |                 |                 | ECN Number   |                          |            |
|  |                 |                 | Status       | FOR FINAL                |            |
| <b>NEUTRIK</b>   |                 | 3D Model ID     | Document ID  | Revision                 | 01         |