

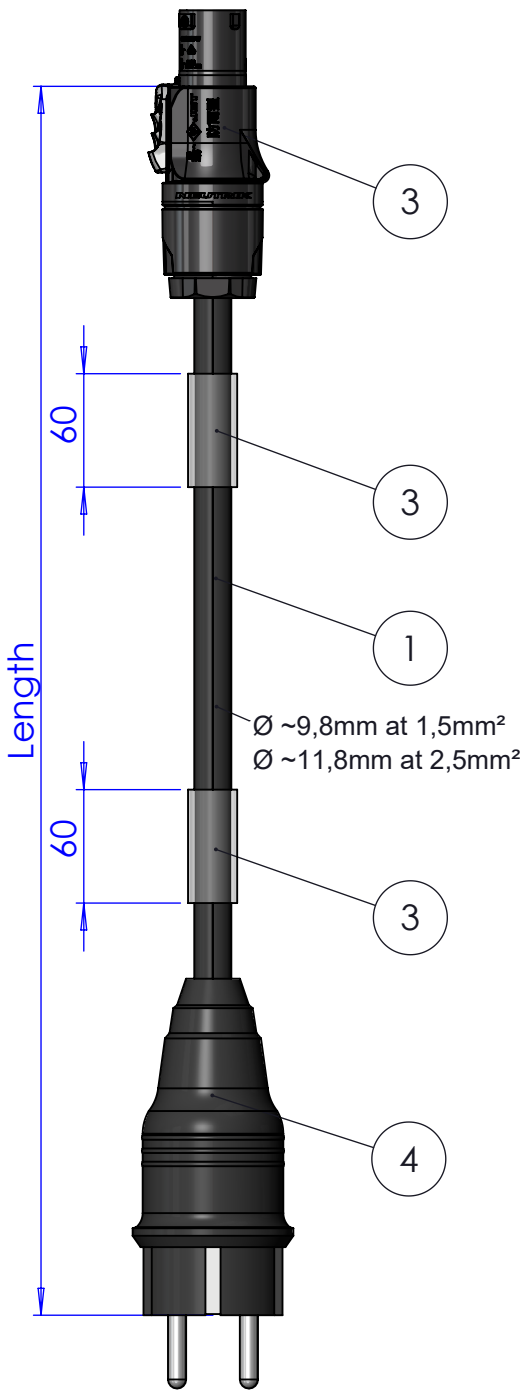
Rubber cable H07RN-F3G1,5 / H07RN-F3G2,5 black (L+N+PE).

Terminated with:
 NEUTRIK powerCON TRUE1 TOP female or male connectors
 Neutrik powerCON Blue
 Schuko "E+F" male or Schuko female

- nominal voltage: 250V~
- operating temperatur: -25°C bis +55°C

Transperent shrink tube loose.
 Unshrunked for customized self-labeling before shrinking.

The powerCON TRUE1 TOP is a connector with breaking capacity (CBC), i.e. it can be connected or disconnected under load or live. (acc. IEC 60320-1 / DIN EN 60320-1 / VDE 0625-1)



sample drawing!

depending on the different Variations,
 other plugs / connectors can be attached.
 Refer to the table

Description	Stock-Code	Protection class	Max. current	Length	Weight
NKPH1-AFA1-M0015 1,5 m 3x1.5 mm² H07RN Schuko "E+F" (m) powerCON TRUE1 (f)	1027576	IP44	16A	1,5 m	0,38 kg
NKPH2-AFA1-M0015 1,5 m 3x2.5 mm² H07RN Schuko "E+F" (m) powerCON TRUE1 (f)	1027577	IP44	16A	1,5 m	0,52 kg
NKPH2-A1AF-M0015 1,5 m 3x2.5 mm² H07RN powerCON TRUE1 (m) Schuko (f)	1027578	IP44	16A	1,5 m	0,52 kg
NKPH1-AFA2-M0015 1,5 m 3x1.5 mm² H07RN Schuko "E+F" (m) powerCON Blue	1027579	IP20	16A	1,5 m	0,38 kg

No.	Part	Qty.
1	Rubber cable H07RN-F3G1,5	1
3	NEUTRIK NAC3FX-W-TOP	1
3	Shrink Tube Ø 12,0 -> 3,0 / unshrunked	2
4	Schuko Plug "E+F"	1

Note: cables <= 1m only 1x shrink tube, cables > 1m 2x shrink tubes

Sheet Number 1/1	Projection 	Scale 1:2	Format A4	Tolerancing ISO 2768-	
g	cm ²	cm ³	Created	HeBo	08.06.2021
Material			Modified	HeBo	17.08.2021
Material addition			Approved	DiRo	17.08.2021
Description NKPHx-AxAx NEUTRIK powerCON TRUE1 to Moulded CEE Plug Cables			ECN Number		
NEUTRIK			Status	FOR FINAL	
3D Model ID			Document ID	Revision	02