



ASSEMBLY INSTRUCTION

speakON[®] Chassis Connector

NL8MPRXX

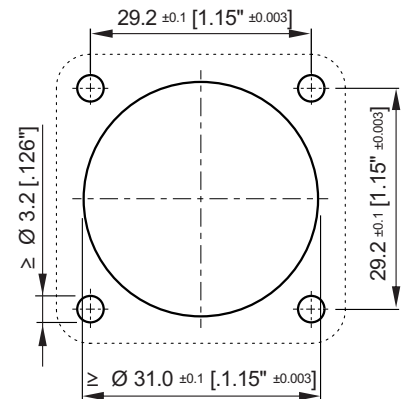
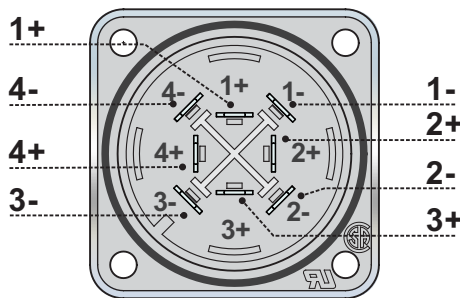
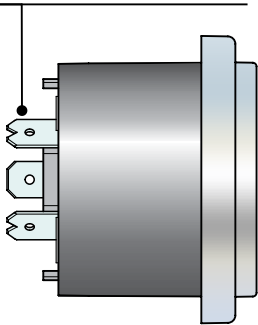
! ATTENTION: speakON is NOT to be used as an mains or power supply connector!

A ASSEMBLY INFORMATION

1 CONNECTION **2** WIRING **3** PANEL CUTOUT (Rear Side)

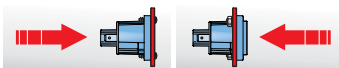
■ NL8MPRXX

Flat tabs for 3/16" FASTON[®]
4.8 mm x 0.5 mm [0.187" x 0.020"]



! MOUNTING

! ATTENTION
Maximum allowable torque M_A



(screws not included)

Rear assembly

Front assembly

NL8MPRXX

Countersunk thru holes for countersunk machine screws (e.g.: M3, 4-40)

-

40 Ncm

B More Information on the www.neutrik.com

<https://www.neutrik.com/products/audio/speakon>



Neutrik AG LI T: +423 / 237 24 24 F: +423/232 53 93
Neutrik USA Inc. USA T: +1 704 / 972 3050 F: +1 704/438 9202
Neutrik (UK) Ltd. UK T: +44 1983 / 811 441 F: +44 1983/811 439
Neutrik Vertriebs GmbH DE/NL/AT/DK T: +49 8131 / 280 890 F: +49 8131/280 830

Neutrik France FR T: +33 1/4131 6750 F: +33 1/4131 0511
Neutrik Tokyo Ltd. JP T: +81 3/3663 4733 F: +81 3/3663 4796
Neutrik Hong Kong Ltd. HK T: +852/2687 6055 F: +852/2687 6052
Neutrik India Pvt. Ltd. IND T: +91/982 05 43 424 F: +91/22 26163 540

Draft. Nr.: BDA 613 V1 | Update: 2020-09-22 | Data subject to change without prior notice. ©2020 NEUTRIK[®]. ALL RIGHTS RESERVED. NEUTRIK[®] are registered trademark.

www.neutrik.com

NEUTRIK[®]