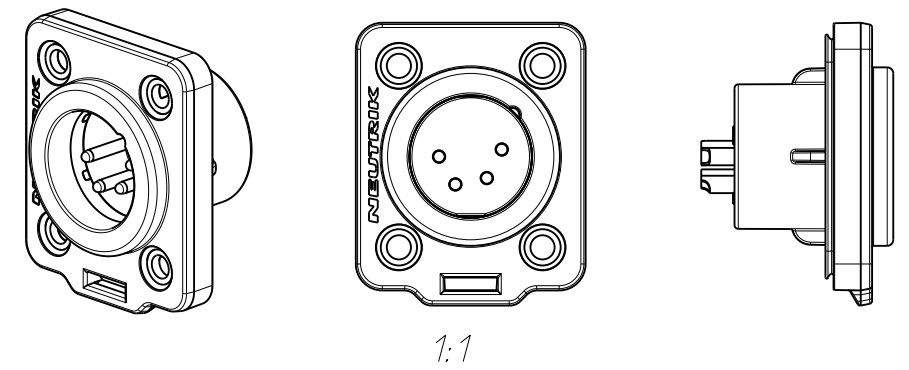
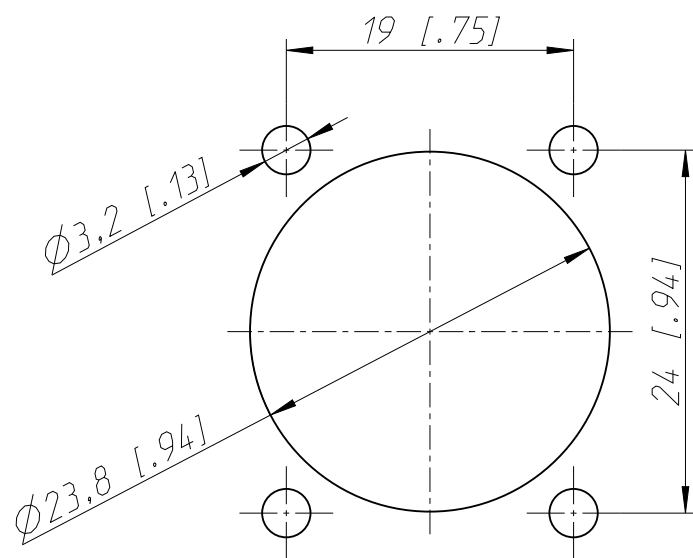


Frontplattenausschnitt  
panel cut out



Sheet Number 1/1	Projection ⊕	Scale 2:1	Format A3	Tolerancing ISO 2768-mK	
ECN Number -	Created 08.05.2020		bej		
Description NC 4MDX-TOP			Modified n.ä.	n.ä.	
			Approved 22.11.2021	man	
			Status Released		
NEUTRIK		3D Model ID 30008818	Document ID 20003453	Revision -	