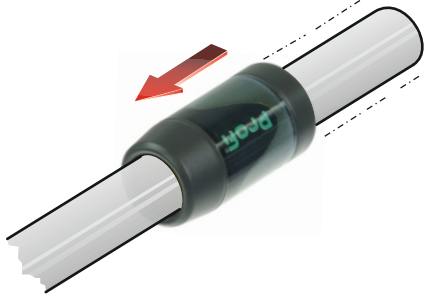




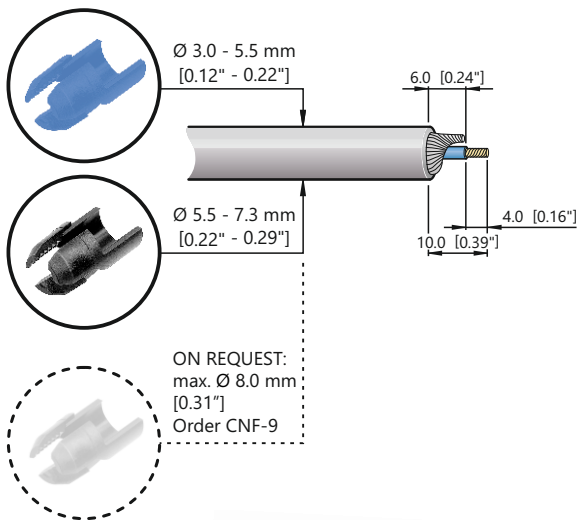
ASSEMBLY INSTRUCTION

NF2C/2B | Profi® the Professional Phono Plug

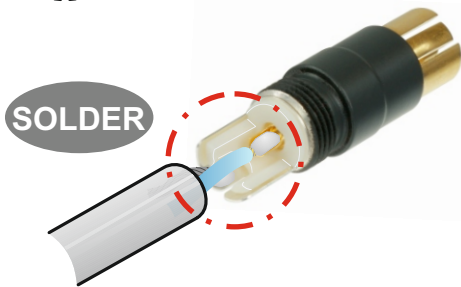
(A)



(B)

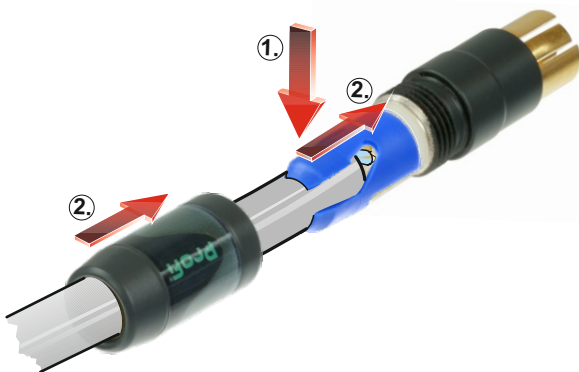


(C)



(D)

(E)



(A) Slide the boot onto the cable.

(B) Prepare cable as shown.

(C) Solder the wire ends.

(D) Put chuck onto the cable.

Attention:

Blue or black chuck for two range of cable diameter.

(White chuck on request: For max. 8 mm available.)

(E) Slide insert and chuck together to the housing.

Attention: Pay attention to the guiding key.

(F) Finish the installation by tighten the bushing onto the connector.

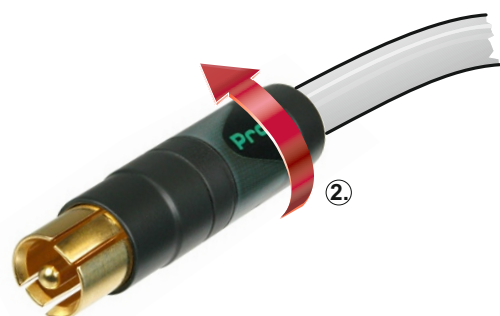
SCOPE OF DELIVERY - NF2C/2B

2 x Phono Plug marked black

2 x Strain reliefs for cable O.D. 3.0 - 5.5 mm

2 x Strain reliefs for cable O.D. 5.5 - 7.3 mm

(F)



Draft. Nr.: BDA 666 V1

Update: 2023-01-25

Neutrik AG | LI-9494 Schaan

www.neutrik.com

NEUTRIK
A brand of the Neutrik Group