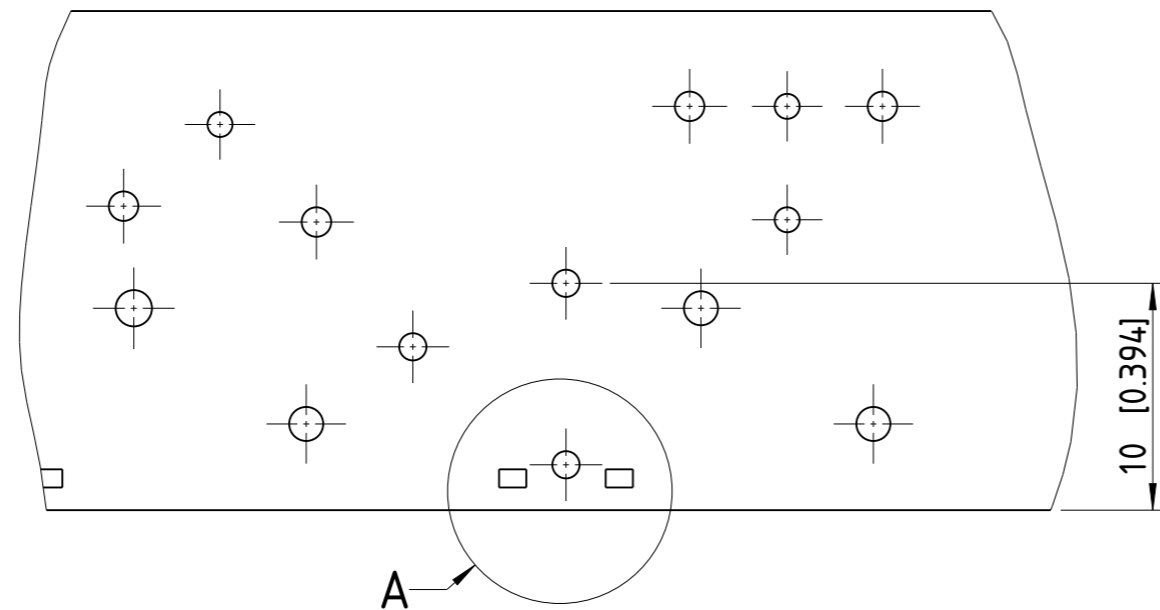
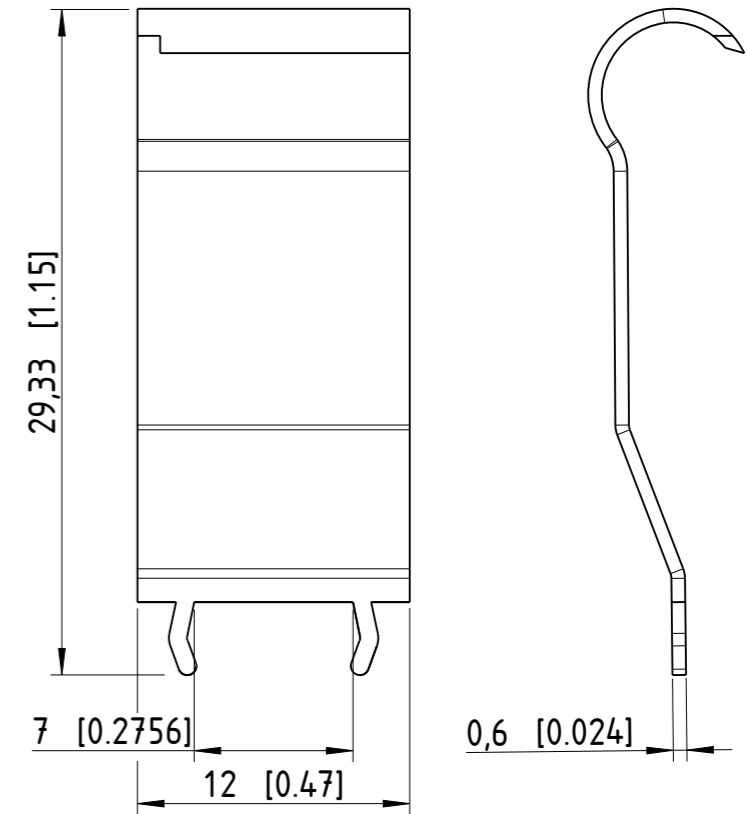
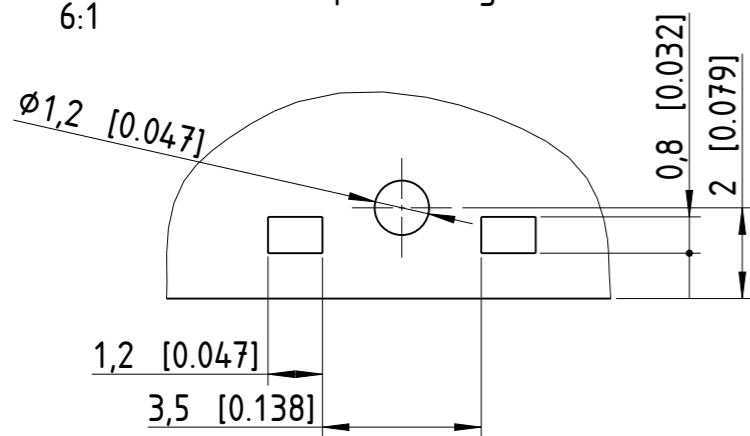


PCB-TOP view



A  
6:1 LED positioning



1:1

Sheet Number 1/1	Projection 	Scale 3:1	Format A3	General Tolerancing ISO 2768 mK	
Description			Created on/by	15.06.2022	Schuster R.
Halo-Light-Barrier			Approved on/by	15.12.2022	Karlinger P.
			Article ID	Model ID	Drawing ID
Status			NLR-LB	30009732	20003990
Released			Revision	ECN Number	
			-	-	<b>Neutrik Group</b>