



REMOVAL OF THE PUSH LEVER FROM THE NC3FA / NC3FB | XLR Receptacle

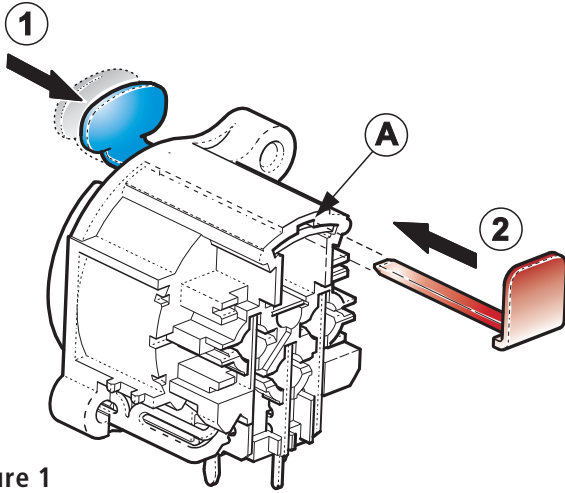


figure 1

To remove the PUSH Lever from this receptacle with the Removal Tool access to the front and rear of the receptacle is necessary.

Depress the PUSH Lever fully as shown in figure 1, and hold it in this position.

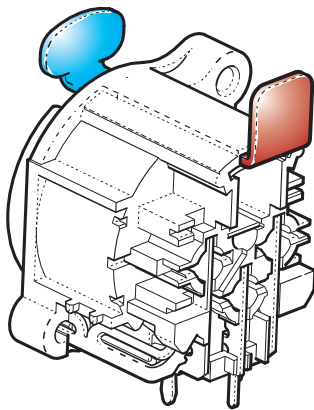


figure 2

Now insert the Removal Tool shaft into the removal slot located on the rear of the receptacle (label A) until it rests completely inside the receptacle as shown in figure 2.

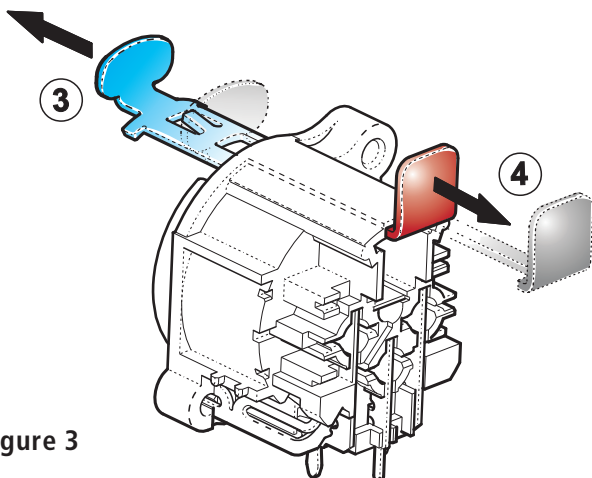


figure 3

Finally, pull out the PUSH Lever from the receptacle and withdraw the Removal Tool as indicated in figure 3.

NEUTRIK AG LI T: +423 / 237 24 24 F: +423 / 232 53 93
NEUTRIK Zürich AG CH T: +41 44 / 736 5010 F: +41 44 / 736 5011
NEUTRIK USA Inc. USA T: +1 732 / 901 9488 F: +1 732 / 901 9608
NEUTRIK (UK) Ltd. UK T: +44 1983 / 811 441 F: +44 1983 / 811 439

NEUTRIK Vertriebs GmbH DE/NL/AT/DK T: +49 8131 / 280 890 F: +49 8131 / 280 830
NEUTRIK France FR T: +33 1 / 4131 6750 F: +33 1 / 4131 0511
NEUTRIK Tokyo Ltd. JP T: +81 3 / 3663 4733 F: +81 3 / 3663 4796
NEUTRIK Hong Kong Ltd. HK T: +852 / 2687 6055 F: +852 / 2687 6052

Draft. Nr.: BDA 070 / 3102M0523 | Update: 21.09.2009 | Data subject to change without prior notice. ©2009 NEUTRIK®. ALL RIGHTS RESERVED.