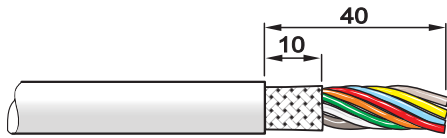




ASSEMBLY INSTRUCTION

etherCON | Ruggedized RJ45 Data Connector Chassis type with cable termination

A



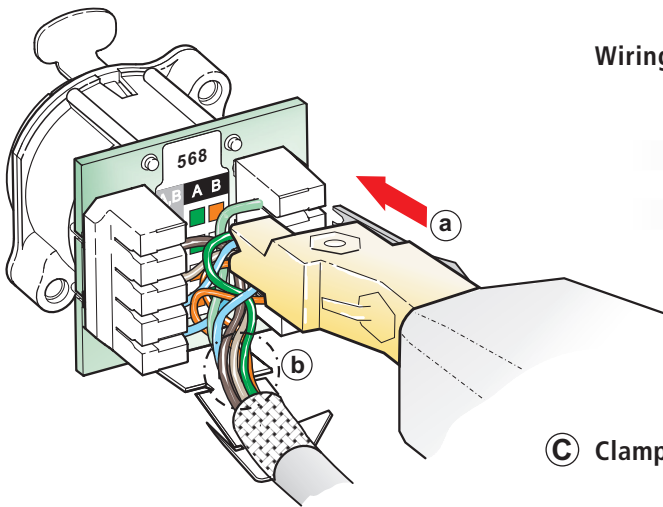
A Strip cable according to figure.

B **a** Terminate the wires with proper punch-down tool.

- Krone tool for NE8FAV-YK
- 110-tool for NE8FAV-Y110

b Take care that the untwisting of pairs does not exceed 13 mm.

B



Wiring:

| 568 | | # | |
|-----|-------|-------|---|
| # | A B | A B | # |
| 7 | Br | Gr | 2 |
| 8 | Br | Wi/Gr | 1 |
| 5 | Wi/Bl | Wi/Or | 3 |
| 4 | Bl | Or | 6 |

TIA 568A

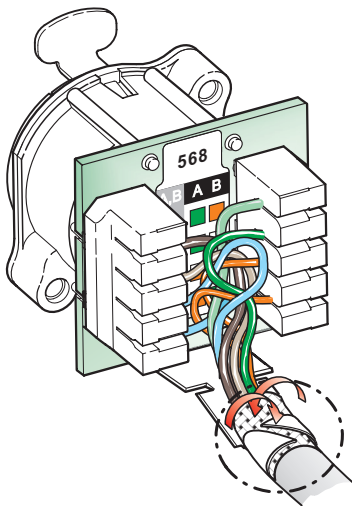
TIA 568B

| TIA 568A | | TIA 568B | |
|----------|-------|----------|-------|
| Wi/Br | Gr | Wi/Br | Or |
| Br | Wi/Gr | Br | Wi/Or |
| Wi/Bl | Wi/Or | Wi/Bl | Wi/Gr |
| Bl | Or | Bl | Gn |

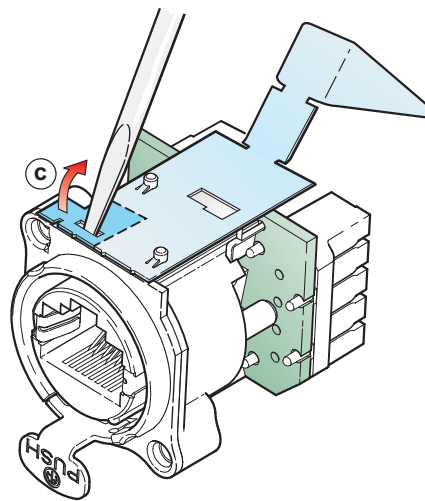
C Clamp cable shield onto shield plate.

D For isolated applications (no connection between shield and front panel) please remove precut piece **c**.

C



D



NEUTRIK AG
NEUTRIK Zürich AG
NEUTRIK USA Inc.
NEUTRIK (UK) Ltd.

LI T: +423 / 237 24 24 F: +423 / 232 53 93
CH T: +41 44 / 736 5010 F: +41 44 / 736 5011
USA T: +1 732 / 901 9488 F: +1 732 / 901 9608
UK T: +44 1983 / 811 441 F: +44 1983 / 811 439

NEUTRIK Vertriebs GmbH
NEUTRIK France
NEUTRIK Tokyo Ltd.
NEUTRIK Hong Kong Ltd.

DE/NL/AT T: +49 8131 / 280 890 F: +49 8131 / 280 830
FR T: +33 1 / 4131 6750 F: +33 1 / 4131 0511
JP T: +81 3 / 3663 4733 F: +81 3 / 3663 4796
HK T: +852 / 2687 6055 F: +852 / 2687 6052

Draft. Nr.: BDA 110 / 3102M1141 | Update: 29.09.2009 | Data subject to change without prior notice. ©2009 NEUTRIK®. ALL RIGHTS RESERVED.

www.neutrik.com

NEUTRIK