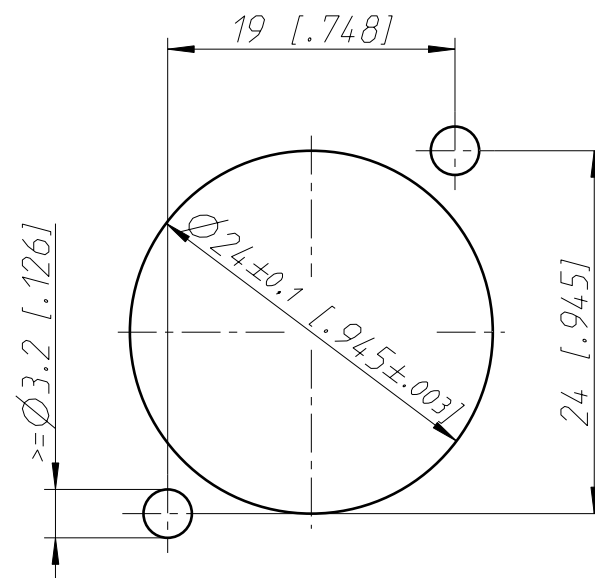
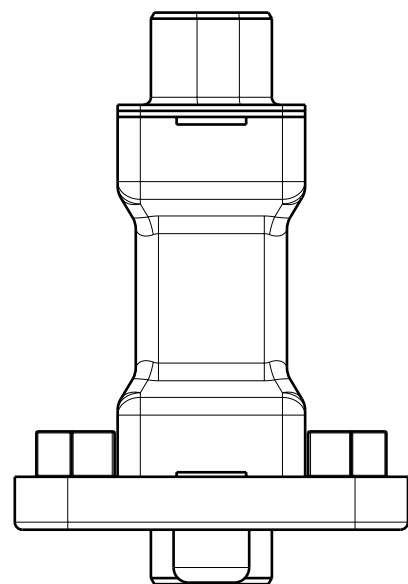


Frontplattenausschnitt (Rueckseite)
Panel cut out (rear side)



1:1

Refer to protection notice ISO 16016.	Scale 2:1 (A3)	Date 07.08.14	Name Karlinger
Name D-SUB NADB15FF	Drawn	Modified	Index
	Change-No.	Sheet-No. 1 / 1	
Replacement for: Drawing-No. NEUTRIK		ST-NADB15FF	